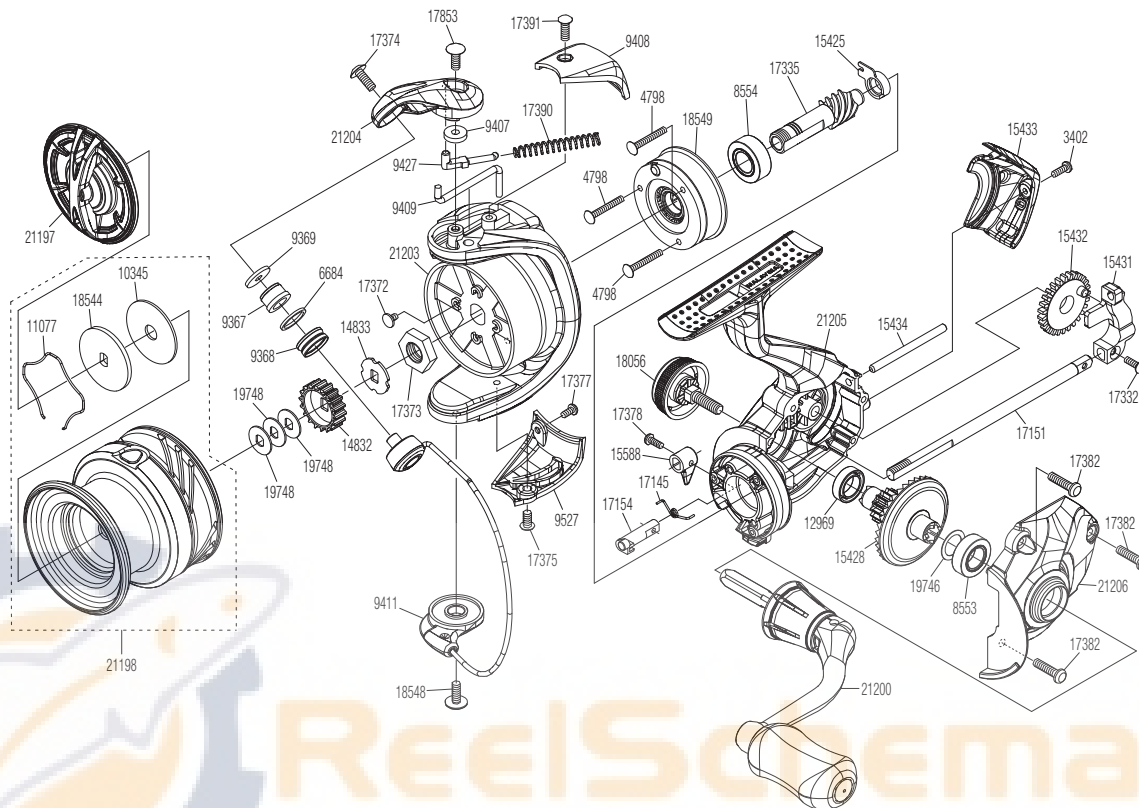


SHIMANO

SYMETRE

SY-2500HG



Please note that the number of adjusting washers may not always be the same as shown in the exploded views.

(51SF43E028B)

Please note that your actions take full responsibility when you take it apart.

Part No.	Description	Part No.	Description	Part No.	Description
RD 3402	Screw	RD15433	Rear Protector	RD19748	Spool Washer
RD 4798	Screw	RD15434	Oscillating Guide	RD21197	Drag Knob Assembly
RD 6684	Line Roller Spacer	RD15588	Anti-Reverse Lever	RD21198	Spool Assembly
RD 8553	Ball Bearing	RD17145	Anti-Reverse Cam Spring	RD21200	Handle Assembly
RD 8554	Ball Bearing	RD17151	Main Shaft	RD21203	Rotor
RD 9367	Line Roller Bushing	RD17154	Anti-Reverse Cam	RD21204	Bail Arm
RD 9368	Line Roller	RD17332	Screw	RD21205	Body
RD 9369	Washer	RD17335	Pinion Gear	RD21206	Side Cover
RD 9407	Washer	RD17372	Screw		
RD 9408	Bail Spring Cover	RD17373	Rotor Nut		
RD 9409	Bail Trip Lever	RD17374	Screw		
RD 9411	Bail Assembly	RD17375	Screw		
RD 9427	Bail Spring Guide	RD17377	Screw		
RD 9527	Bail Hold Support Guard	RD17378	Screw		
RD10345	Drag Washer	RD17382	Screw		
RD11077	Drag Washers Retainer	RD17390	Bail Spring		
RD12969	Ball Bearing	RD17391	Screw		
RD14832	Spool Support A	RD17853	Screw		
RD14833	Spool Support B	RD18056	Handle Screw Cap Assembly		
RD15425	Pinion Bushing	RD18544	Key Washer		
RD15428	Drive Gear	RD18548	Screw		
RD15431	Oscillating Slider	RD18549	Roller Clutch Assembly		
RD15432	Oscillating Gear	RD19746	Washer		